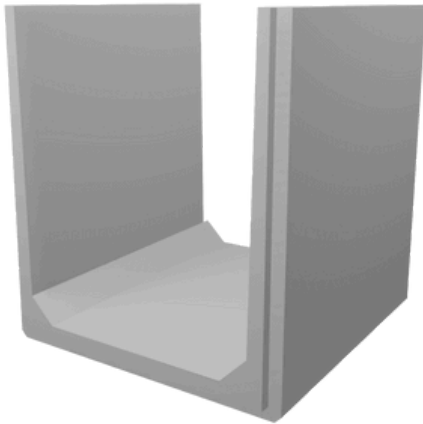
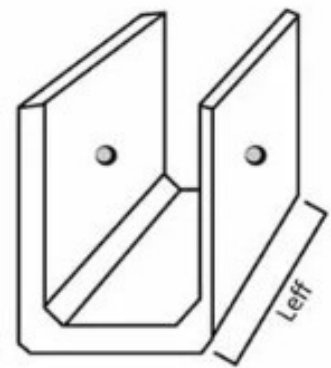
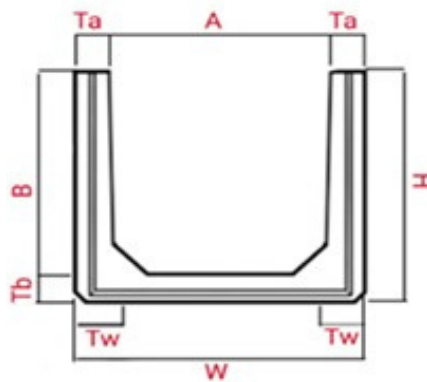


SPESIFIKASI

U-DITCH



Spesifikasi Teknis	
Mutu Beton	K-350
Kuat Tarik Besi	U-50 & U-24
Sistem Cetak	Basah dan Kering dengan getaran tinggi
Tipe Sambungan	Male Female

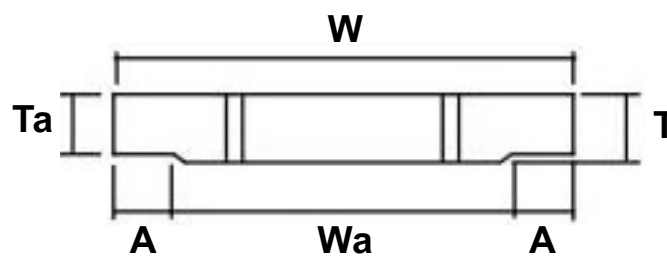
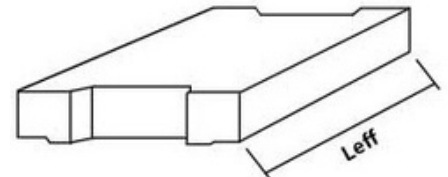
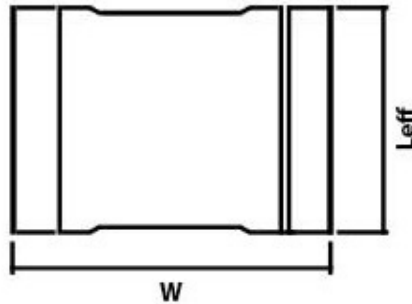
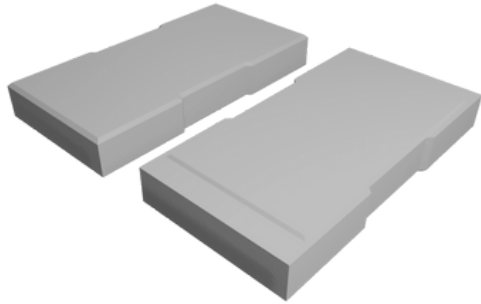


No	Tipe Uditch	Dimensi (mm)							
		A	B	W	H	Ta	Tb	Tw	Leff
1	Uditch 30 x 30 x 120	300	300	400	360	50	60	60	1200
2	Uditch 30 x 40 x 120	296	400	400	460	52	60	60	1200
3	Uditch 30 x 50 x 120	300	500	400	560	50	60	60	1200
4	Uditch 40 x 40 x 120	400	400	500	475	50	75	65	1200
5	Uditch 40 x 50 x 120	394	500	510	575	58	75	70	1200
6	Uditch 40 x 60 x 120	400	600	510	675	55	75	70	1200
7	Uditch 50 x 50 x 120	500	500	600	565	50	55	90	1200
8	Uditch 50 x 60 x 120	490	600	635	675	72	75	90	1200
9	Uditch 50 x 70 x 120	495	700	635	775	70	75	90	1200
10	Uditch 60 x 60 x 120	589	600	740	680	76	80	90	1200
11	Uditch 60 x 70 x 120	594	700	740	780	73	80	90	1200
12	Uditch 60 x 80 x 120	600	800	740	880	70	70	90	1200
13	Uditch 80 x 80 x 120	794	800	940	900	73	100	85	1200
14	Uditch 80 x 90 x 120	798	900	940	1000	71	100	85	1200
15	Uditch 80 x 100 x 120	800	1000	940	1100	70	100	85	1200
16	Uditch 100 x 100 x 120	1000	1000	1200	1110	100	110	110	1200
17	Uditch 100 x 110 x 120	994	1100	1200	1210	103	110	110	1200
18	Uditch 100 x 120 x 120	1000	1200	1200	1310	100	110	110	1200
19	Uditch 120 x 120 x 120	1194	1200	1400	1320	103	120	120	1200
20	Uditch 120 x 140 x 120	1200	1400	1400	1520	100	120	120	1200
21	Uditch 140 x 140 x 120	1395	1400	1620	1530	113	130	130	1200
22	Uditch 140 x 160 x 120	1400	1600	1620	1730	110	130	130	1200
23	Uditch 140 x 180 x 120	1406	1800	1620	1930	107	130	130	1200
24	Uditch 150 x 150 x 120	1500	1500	1740	1780	120	140	140	1200
25	Uditch 150 x 170 x 120	1500	1700	1740	1980	115	140	140	1200
26	Uditch 160 x 160 x 120	1593	1600	1840	1750	124	150	150	1200
27	Uditch 160 x 180 x 120	1600	1800	1840	1950	120	150	150	1200
28	Uditch 180 x 180 x 120	1800	1800	2070	1970	135	170	170	1200
29	Uditch 200 x 200 x 120	2000	2000	2300	2190	150	190	190	1200

Beban Gandar = 22,5 Ton / 225 kN

Jenis Kendaraan = Tronton, Trailer, Truk Engkel, dan sejenisnya.

COVER U-DITCH



Spesifikasi Teknis	
Mutu Beton	K-350
Kuat Tarik Besi	U-50 & U-24
Sistem Cetak	Basah dan Kering dengan getaran tinggi
Tipe Produk	Dengan lubang drain

No	Tipe Cover Ditch	Dimensi (mm)					
		W	T	A	Ta	Wa	Leff
1	Cover 30 x 60 Light Duty	420	80	65	70	290	600
2	Cover 40 x 60 Light Duty	530	80	75	70	380	600
3	Cover 50 x 60 Light Duty	620	100	75	90	470	600
4	Cover 60 x 60 Light Duty	740	100	75	90	590	600
5	Cover 80 x 60 Light Duty	950	120	95	110	760	600
6	Cover 100 x 60 Light Duty	1200	120	110	110	980	600
7	Cover 120 x 60 Light Duty	1400	120	110	110	1180	600

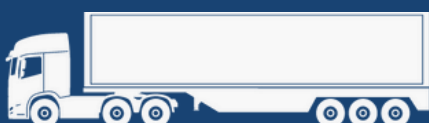
No	Tipe Cover Ditch	Dimensi (mm)					
		W	T	A	Ta	Wa	Leff
1	Cover 30 x 60 Heavy Duty	420	100	65	70	290	600
2	Cover 40 x 60 Heavy Duty	530	100	75	90	380	600
3	Cover 50 x 60 Heavy Duty	620	120	75	110	470	600
4	Cover 60 x 60 Heavy Duty	740	120	75	130	590	600
5	Cover 80 x 60 Heavy Duty	950	140	95	130	760	600
6	Cover 100 x 60 Heavy Duty	1200	150	110	140	980	600
7	Cover 120 x 60 Heavy Duty	1400	150	115	140	1180	600
8	Cover 140 x 60 Heavy Duty	1640	180	125	170	1390	600
9	Cover 150 x 60 Heavy Duty	1740	180	125	170	1490	600
10	Cover 160 x 60 Heavy Duty	1840	180	125	170	1590	600

Beban Gandar

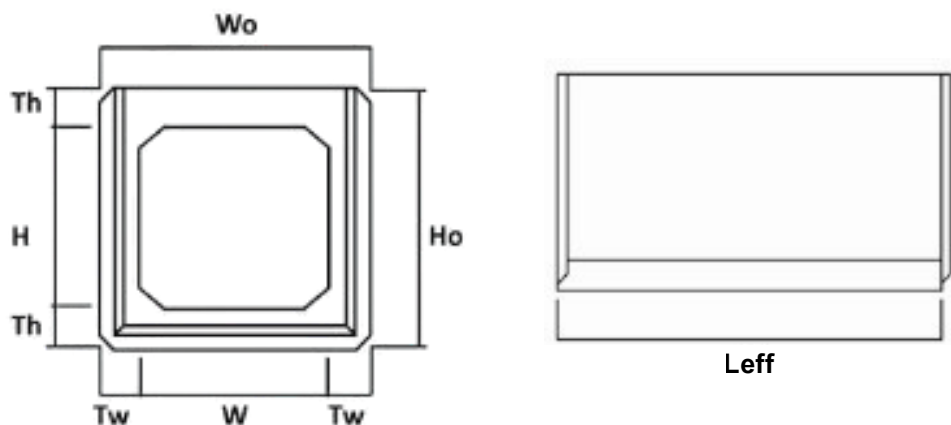
Cover LD = 5 Ton

Cover HD = 10,5 Ton

Jenis Kendaraan = Tronton, Trailer, Truk Engkel, dan sejenisnya.



BOX CULVERT



Spesifikasi Teknis	
Mutu Beton	K-350
Kuat Tarik Besi	U-50 & U-24
Sistem Cetak	Basah dan Kering dengan getaran tinggi
Tipe Sambungan	Male Female

No	Tipe Box Culvert	Dimensi (mm)						
		W	H	Tw	Th	Wo	Ho	Leff
1	Box Culvert 400 x 400 x 1000	400	400	100	100	600	600	1000
2	Box Culvert 500 x 500 x 1000	500	500	100	100	700	700	1000
3	Box Culvert 600 x 600 x 1000	600	600	100	100	800	800	1000
4	Box Culvert 800 x 800 x 1000	800	800	120	120	1040	1040	1000
5	Box Culvert 1000 x 1000 x 1000	1000	1000	120	120	1240	1240	1000
6	Box Culvert 1200 x 1200 x 1000	1200	1200	120	120	1440	1440	1000
7	Box Culvert 1400 x 1400 x 1000	1400	1400	150	150	1700	1700	1000
8	Box Culvert 1500 x 1500 x 1000	1500	1500	150	150	1800	1800	1000
9	Box Culvert 2000 x 2000 x 1000	2000	2000	200	200	2400	2400	1000
10	Box Culvert 3000 x 3000 x 1000 TB	3000	3000	250	250	3500	3500	1000

No	Tipe Box Culvert	Dimensi (mm)						
		W	H	Tw	Th	Wo	Ho	Leff
1	Boc Culvert 400 x 400 x 1000 HD	400	400	100	100	600	600	1000
2	Box Culvert 500 x 500 x 1000 HD	500	500	100	100	700	700	1000
3	Box Culvert 600 x 600 x 1000 HD	600	600	120	120	840	840	1000
4	Box Culvert 800 x 800 x 1000 HD	800	800	150	150	1100	1100	1000
5	Box Culvert 1000 x 1000 x 1000 HD	1000	1000	150	150	1300	1300	1000
6	Box Culvert 1200 x 1200 x 1000 HD	1200	1200	150	150	1500	1500	1000
7	Box Culvert 1400 x 1400 x 1000 HD	1400	1400	170	170	1740	1740	1000
8	Box Culvert 1500 x 1500 x 1000 HD	1500	1500	170	170	1840	1840	1000
9	Box Culvert 2000 x 2000 x 1000 HD	2000	2000	250	250	2500	2500	1000
10	Box Culvert 3000 x 3000 x 1000 TB	3000	3000	280	280	3560	3560	1000
11	Boc Culvert 4000 x 4000 x 1000 TB	4000	4000	300	300	4600	4600	1000

Beban Gandar = 22,5 Ton / 225 kN

Jenis Kendaraan = Tronton, Trailer, Truk Engkel, dan sejenisnya

